

PO Box 602, Highland, CA 92346
 909-793-7602 phone 909-793-1283 fax
 www.procastproducts.com

PROJECT NAME:
ALASKA BARRIER 9,000

OWNERS/CLIENT:
RAILROAD SECURITY WALL

DRAWN BY:	TPC	01.03.2025
REVISED BY:		
DESIGNED BY:		
CHECKED BY:		
SUBMITTED BY:		
APPROVED:		
PLOT DATE:		

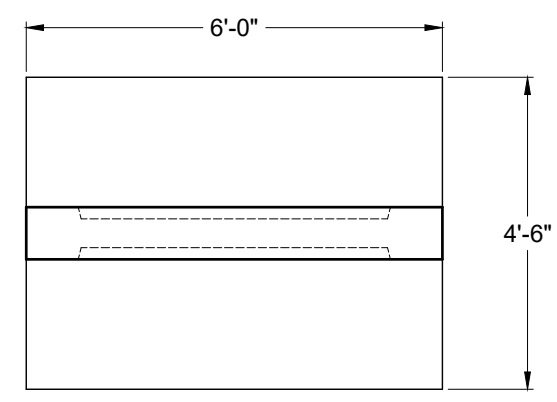
REVISION:

PROJECT NO.

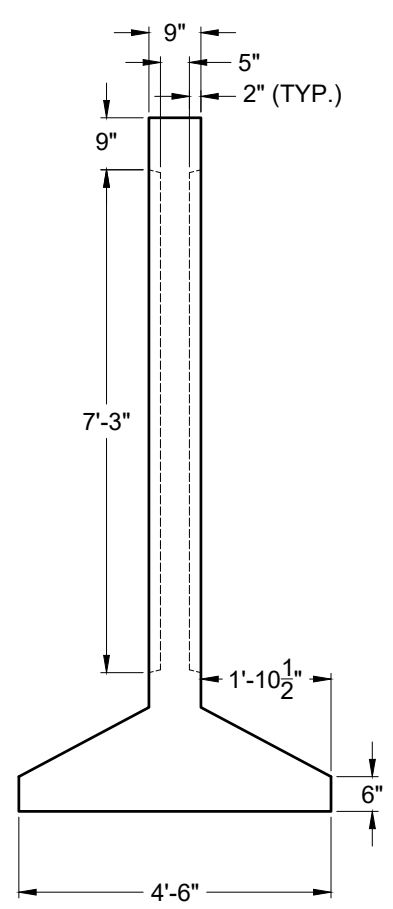
SHEET TITLE:
6'-0" WIDE ALASKA BARRIER 9,000

SHEET NO.
PL1

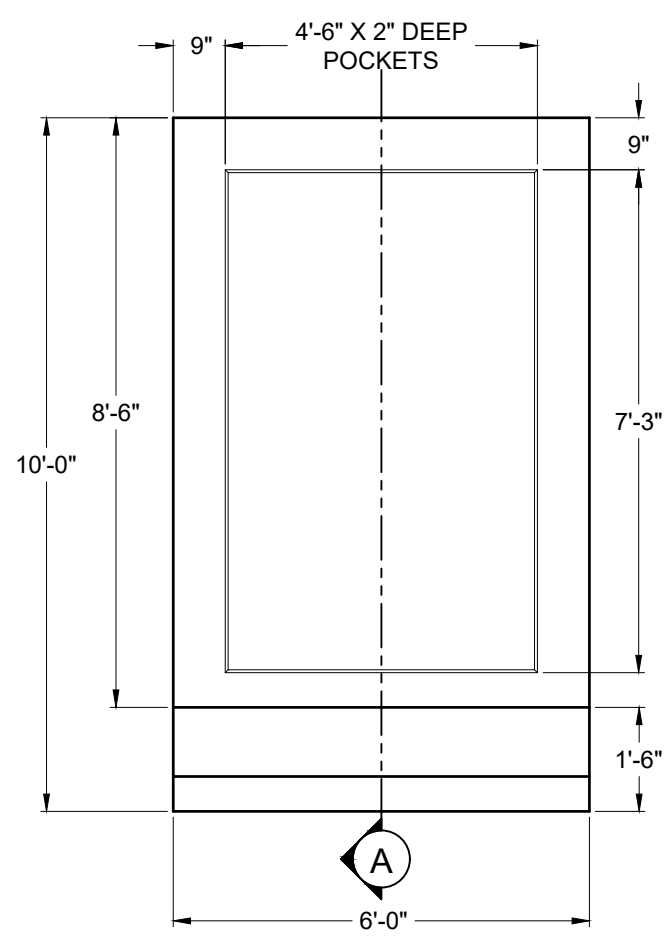
Submitted for Approval: 01.03.2024



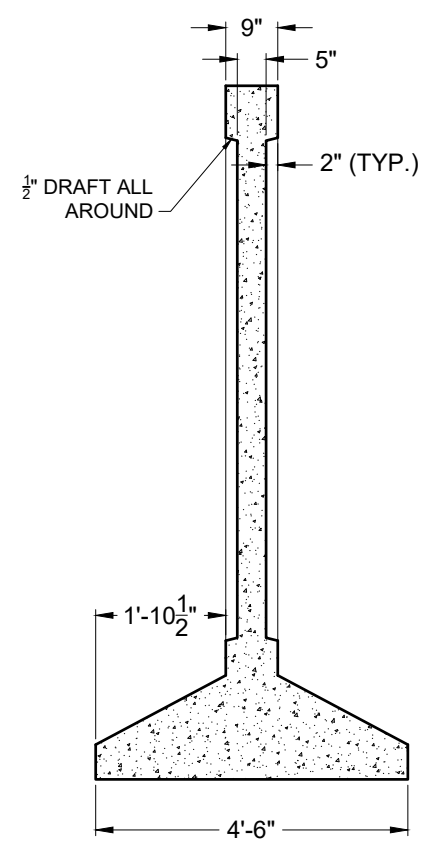
PLAN VIEW



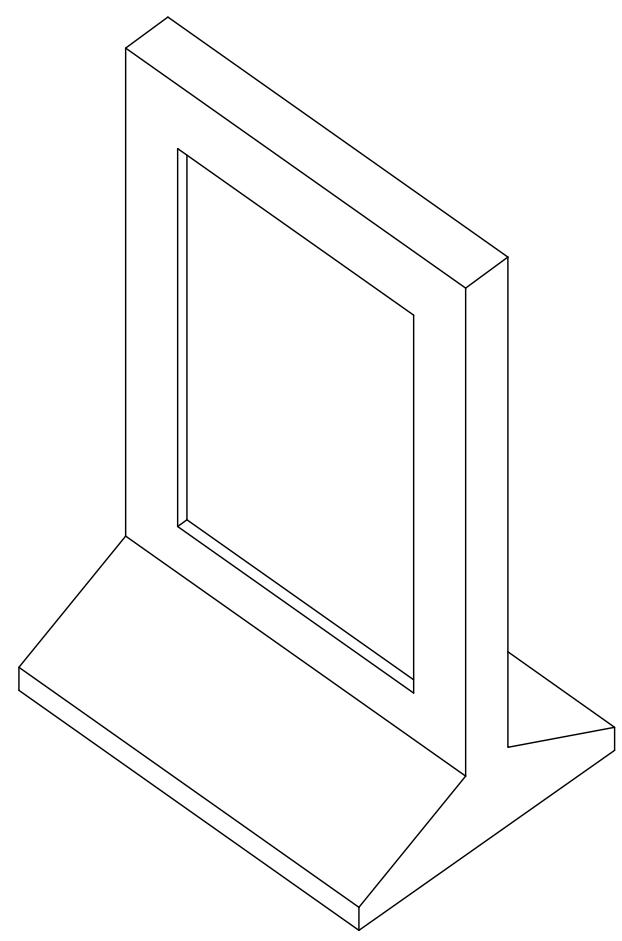
SIDE VIEW



FRONT VIEW
 APPROX. WT. = 8,505 LBS.
 SCALE: 3/8" = 1'-0"



SECTION "A"



ISOMETRIC VIEW

g:\3 - standard products folder\view standard product drawings\alaska barrier - rr security application.dwg